

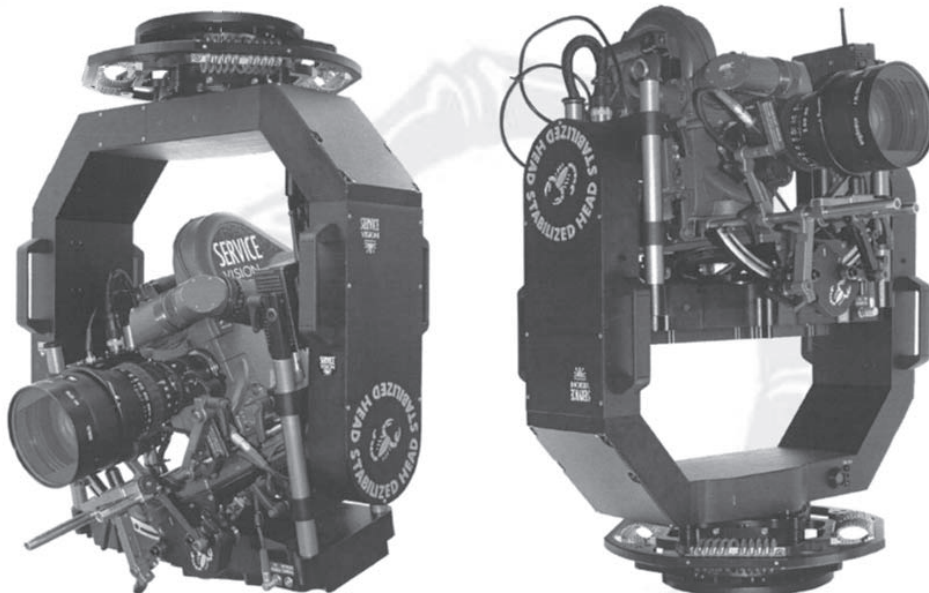


Scorpio Stabilized Head



AVAILABLE 3D KIT

"we stop the world only for you"



The **Scorpio Stabilized Head** is a digital remote head with stabilization in all axes. It can be defined using three basic concepts: **Fast**, **Easy** and **Effective**.

Fast:

- The set up time is the same as any standard **Scorpio** Remote Head.
- Changing the camera package on the **Scorpio Stabilized Head** is as fast as any Geared or Fluid Head.

Easy:

- It does not require complicated adjustments or counterweights to level the camera. Any change from the initial camera package only requires simple visual balancing.
- Its design allows easy access to the camera equipment in order to change the magazine, the position of the lens control motors or the placement of any accessory.

Effective:

- Its digital system will stabilize any film or video camera up to 45 kg (100 lb). Its stabilization is effective up to 300 mm focal length in 35 mm. It will stabilize typical zooms such as 24-275 mm or 24-290 mm.
- The level of stabilization is optimal for any telescopic crane, fixed crane, dolly, camera car, or any type of platform.



Wireless Control

- Connection between **Scorpio Stabilized Head** and control.
- Half duplex microwave 2,4 GHz.
- 99 channels of communication.
- Aux power out 12 V.



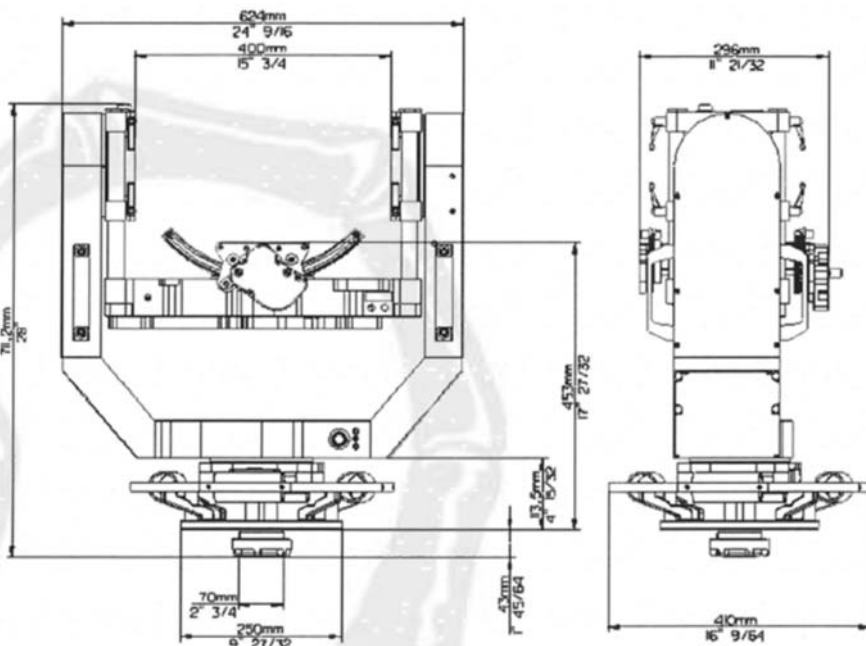
Scorpio Focus Wireless





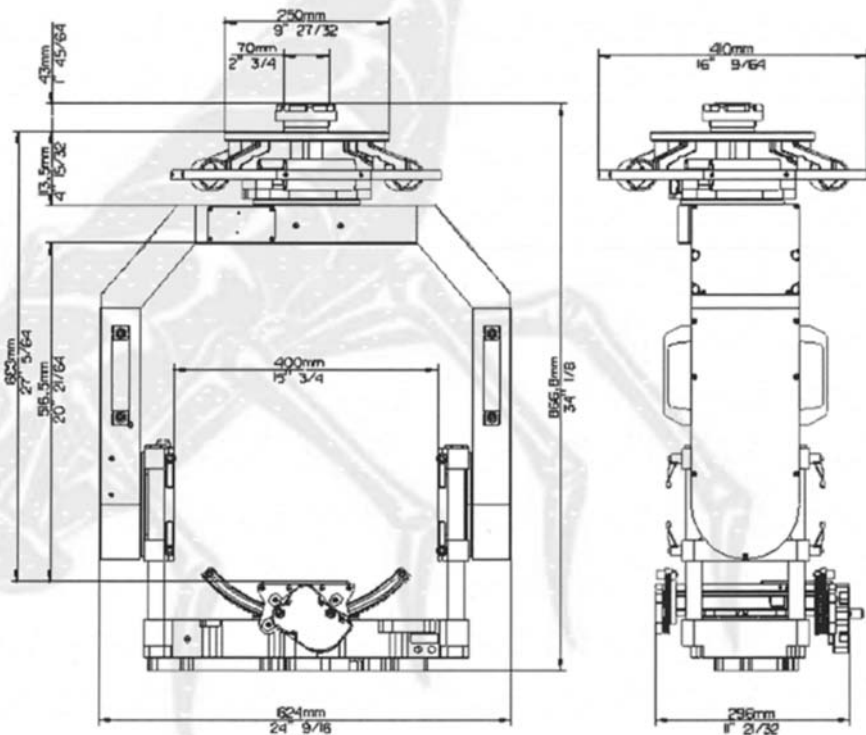
Technical specifications:

- Speed: 120°/Second all axis
- Rotation: PAN and TILT 360°
- ROLL +/- 30°
- Back PAN: Automatic
- Head weight: 33 kg / 72 lb
- Max. camera weight: 45 kg / 100 lb
- Power requirements: 30 V DC
- Standby current: 800 mA
- Maximum current: 8 A
- Maximum usable lens focal: 300 mm
- SET-UP time: The same as a standard Scorpio Head
- The **Scorpio Stabilized Head** can be controlled two ways:
 - By cable up to 500 m (1500 ft)
 - By microwave **Scorpio Radio System**



Scorpio Stabilized Head PROVIDES

- Power for all film and video cameras.
- Two lines: 1 video - 1 HD
- Witness camera.
- Power supply for **Scorpio Focus** or other popular Lens Control .
- Four control systems are available: Handwheels, Joystick, Pan Bar (JDR) and Hand Held.
- Programmable limits, Damping and Speed adjustment for all axes.
- Horizon level.
- Looking straight down 4th axis control capability.



3D KIT



- New 3D KIT for **Scorpio Stabilized Head**.
- Compatible with most common 3D rig in the market.
- Optimal stabilization with any camera package.

